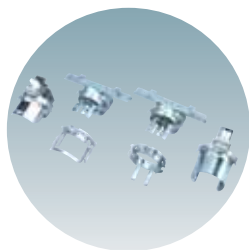


HCS2 1201-30

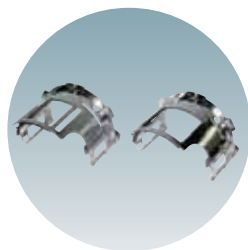
■ OPTIONS



Laser Position Marker



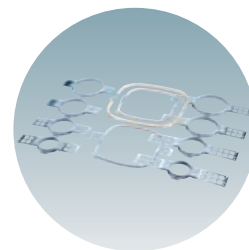
Cap Frame Kit



One Point Frame



Sock Frame



Various Frames

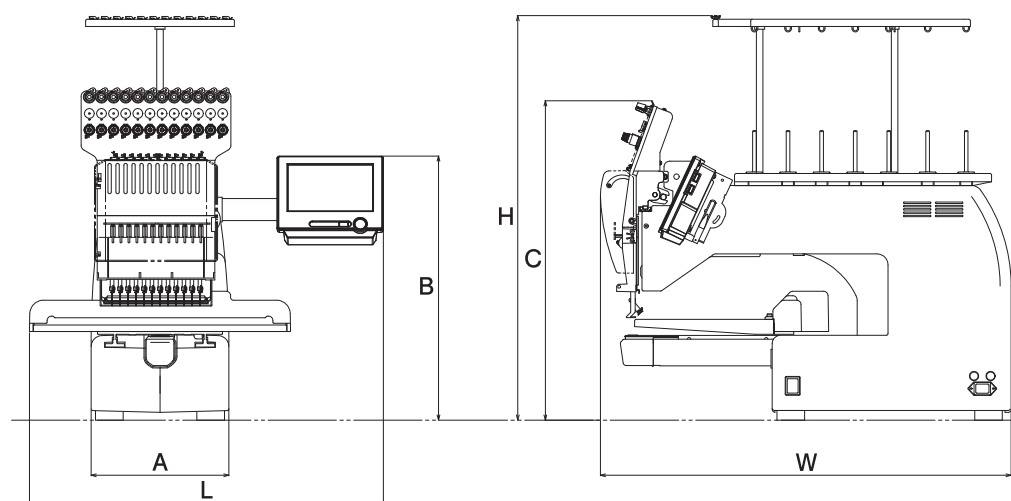
■ STANDARD FEATURES AND FUNCTION

- Color LCD Touch Screen Control Panel
- HAPPY Link/LAN Software
- Automatic Color Change
- Automatic Thread Brake Detection
- USB/LAN Port for PC Connection
- USB Port for Flash Drive/Mouse
- Built-in Bobbin Thread Winder
- Frame Trace Function
- Frame Offset Function
- Frame Out Function
- Auto Origin Function
- Built-in Help Function
- Design Convert
- Design Rotate
- Repeat Sewing
- Automatic Short Stitch Removal
- Icon Free Positioning
- Multilingual Operation

■ SPECIFICATIONS

MODEL	Head	Needles	Embroidery Area (DxW)			Maximum Speed (r.p.m.)	Stitch Length	Memory
			Maximum	Wide Cap Frame	Low-profile Cap frame			
HCS2-1201-30	1	12	285×290mm 11.2×11.4inch	67×290mm 2.6×11.4inch	67×180mm 2.6×7.1inch	1,000 750(cap)	0.1-12.7mm	40,000,000 stitches 250 patterns

MODEL	Power Supply	Power Consumption	Frequency	Weight	Dimensions						
					L	W	H	A	B	C	
HCS2-1201-30	Single Phase 100-115V 200-230V	220W	50/60Hz	42kg 93lbs	642	745	734	250	480	580	(mm)
					25.3	29.3	28.9	9.8	18.9	22.8	(inch)



NOTE

- Embroidery area may be limited by hoops to be used.
- Specifications are subject to change without notice.
- Maximum speed may change by sewing conditions.

Manufactured by :

HAPPY Industrial Corporation

TOKYO OFFICE: 2-9-5 TAITO, TAITO-KU, TOKYO, 110-0016 JAPAN

phone: +81-3-3834-0711 fax: +81-3-3835-8917

E-mail: emb-info@happy-ind.co.jp

www.happy-ind.co.jp

Distributed by :

HCS2 1201-30

Computerized Compact Embroidery Machine

ULTIMATE EMBROIDERY MACHINE

ULTRA LIGHT / ULTRA COMPACT

ULTRA FAST / ULTRA EASY OPERATION

HAPPY Industrial Corporation

JAPAN